



Evolve Communications, Inc.

*Guide Remote**

**Model No. RD1000
RD1100
RD1200
RD1300**

Owner's Manual

Please read before using this equipment

Table of Contents

Table of Contents

Table of Contents.....	1
Introduction.....	3
Features.....	3
Key Layout.....	4
Basic Key Functions.....	5
Mode Key Functions.....	6
Install Batteries.....	7
Battery Saver.....	7
Adjust Contrast.....	7
Remote Setup.....	8
Program Setup Codes.....	8
Manual Code Search.....	9
Auto Code Search.....	9
View Device Codes.....	10
Viewing Codes.....	10
Reassigning Device Keys.....	10
Programming Macros.....	11
Recording Macro.....	11
Playing Macro.....	11
Punch-Through.....	11
Volume Lock.....	12
Turn Off Volume Lock.....	12
Volume Unlock – CBL/SAT.....	12
Volume Unlock – VCR.....	12
Volume Unlock – DVD Player.....	12
Turn On Volume Lock.....	13
Volume Lock – Cable Converter or SAT/DSS Receiver.....	13
Volume Lock – VCR.....	13
Volume Lock – DVD Player.....	13
DVD/VCR Keys.....	13
Priority-Press.....	14
Priority-Press Key Classes.....	14
Priority-Press Key Class Table.....	14
Turn On Power Key Priority-Press.....	15
Turn On Channel Key Priority-Press.....	15
Channel Key Priority-Press Setup – TV.....	16
Channel Key Priority-Press Setup – CBL/SAT.....	16

Table of Contents

Channel Key Priority-Press Setup – VCR.....	16
Volume Key Priority-Press.....	17
Volume Key Priority-Press Setup – TV.....	17
Volume Key Priority-Press Setup – CBL/SAT.....	17
Volume Key Priority-Press Setup – VCR.....	17
Volume Key Priority-Press Setup – DVD	17
Turn On Transport Key Priority-Press.....	17
Turn On Menu Keys Priority-Press.....	18
Punch-Through vs Priority Press.....	18
Toggle Punch-Through and Priority-Press.....	18
Backlight.....	19
Factory Reset.....	19
Computer Requirements.....	20
Install USB Drivers.....	20
Install RemoteLinker II* Software.....	20
Activating Guide.....	21
Download TV Listings.....	23
Updating TV Listings.....	23
Navigating Guide Screen.....	23
Using Guide key.....	24
Accessing Guide Screens.....	24
Title Screen.....	25
Detail Screen.....	25
Guide Expiration.....	25
Manufacturers' Codes.....	26
TV Codes.....	26
Cable Codes.....	32
Satellite Codes.....	35
VCR Codes.....	36
DVD Codes.....	41
PVR Codes.....	43
Video on Demand Codes.....	43
DVD/VCR Combo Codes.....	43
Miscellaneous Codes.....	43
Troubleshooting.....	44
Frequently Asked Questions.....	45
Specifications.....	47
Declaration of Conformity.....	47
Warranty.....	48

INTRODUCTION

Introduction

Your new **Guide Remote*** allows you to control your TV, VCR, cable/SAT/DSS converter, and DVD player, all in one easy to use remote control. The design includes the functions used most often to operate TV, VCR, Cable converters and Satellite receivers and DVD Players.

This manual includes a list of 4-digit manufacturer's codes for TVs, VCRs, Cable and Satellite converters and DVD players.

The screen on your **Guide Remote** can provide you instant access to the TV programs listing, including a brief description of the TV show.

FEATURES

TV Listings – screen on remote provides access to TV program listings.

Program Details – press the GUIDE key to view program details.

Pre-Programmed Code Setup – contains the control codes for most available brands, including some discontinued devices.

Auto Code Search – select the type of device you need to set up and **Guide Remote** will search for the right code.

Code Verification – lets you recall the codes for each device in setup.

Programmable Macro Keys – each macro keys let you send a set of commands containing up to 32 steps with a single key press.

Punch-Through – gives you the ability to control specific functions of two different devices without being in the active mode for each device.

Priority-Press – gives you the ability to control the functions for each device exclusively in the active device mode.

Record Safety – requires a double press of key to prevent accidental recording.

Battery Saver – remote stops sending IR signal after 30 seconds if a key is stuck to save battery power.

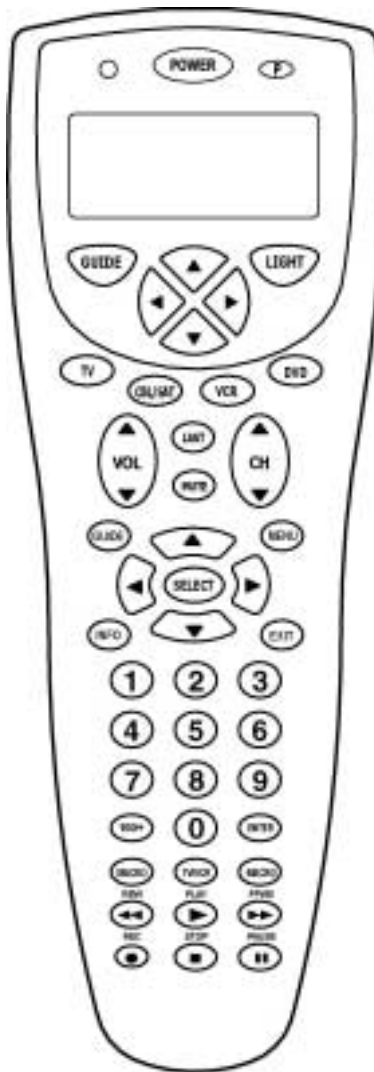
Code Saver – if batteries are removed or power runs out codes are stored in memory.

INTRODUCTION

KEY LAYOUT

Your *Guide Remote** controls the four most used functions in your home entertainment center, the TV, VCR/PVR, Cable/SAT and DVD player.

After the initial set up, the command keys will work similar to the keys on your original remote control.



INTRODUCTION

BASIC KEY FUNCTIONS

The following table details the list of all keys on the *Guide Remote** and how they function.

P	Use to program the remote to control your devices.
LIGHT	Use to turn the backlight on or off. When the backlight key is pressed, the backlight will turn on for 5 seconds. Each time any key is pressed, the 5-second timer is re-primed. If no key is pressed during the 5-second interval, the backlight will turn off.
GUIDE	Press the GUIDE key near the display screen to access the TV Listings, Program Details and Information screen.
TV, VCR, CBL/SAT, DVD	Use to set up the remote to control your devices. Use these keys during normal operation, after setup, to select a desired device to control.
POWER, VOL+, VOL-, CH +, CH-, LAST, MUTE, GUIDE, MENU, SELECT, INFO, EXIT, Digit Keys (0-9), TV/VCR (A/B) 100+, ENTER and VCR & DVD Keys (Transport Keys)	Use these keys the same as the corresponding keys on your original remote control.
MACRO	Use MACRO keys to program multi-step commands.

INTRODUCTION

MODE KEY FUNCTIONS

The table below details the function of selected keys in the various modes.

KEY	TV	CBL/SAT	VCR	DVD
GUIDE	Guide	Guide	Guide, Program	Guide
MENU	Menu	Menu	Menu	Menu
INFO	Display	Information	Display	Information
CH +	Channel Up	Channel Up	Channel Up	Channel Up
CH -	Channel Down	Channel Down	Channel Down	Channel Down
VOL +	Volume Up	Volume Up	Volume Up	Volume Up
VOL -	Volume Down	Volume Down	Volume Down	Volume Down
LAST	Last Channel	Last Channel	Last Channel	
MUTE	Mute	Mute	Mute	Mute
ENTER	Enter	Enter	Enter	Enter
DIGIT	Enter	Enter	Enter	Enter
TV/VCR	TV/VCR	A/B	TV/VCR	TV/DVD
REW	Punch-through to VCR	Punch-through to VCR	Rewind	Rewind
PLAY	Punch-through to VCR	Punch-through to VCR	Play	Play
FFWD	Punch-through to VCR	Punch-through to VCR	Fast Forward	Fast Forward
REC	Punch-through to VCR	Punch-through to VCR	Record	Record
STOP	Punch-through to VCR	Punch-through to VCR	Stop	Stop
PAUSE	Punch-through to VCR	Punch-through to VCR	Pause	Pause
MACRO	Learn Macro	Learn Macro	Learn Macro	Learn Macro

Note: On some Cable and Satellite systems with VOD (Video on Demand) the Transport (VCR/DVD) keys will not punch through to VCR. They will have the VOD function.

INTRODUCTION

INSTALL BATTERIES

The battery cover is located on the back of the remote. Pay close attention to the direction of the batteries. Align the poles (+ and -) as indicated in the battery compartment. Remove battery case cover to install the batteries in the remote control.

1. Press firmly on the arrow on the back of the remote to remove the battery cover.
2. Insert four new 1.5-volt AA alkaline batteries, taking care to align the polarity symbols (+ and -) as marked inside the battery case.
3. Replace the battery cover.

Notes:

- Use only fresh AA alkaline batteries.
- Do not use rechargeable batteries.
- Do not mix old and new batteries.
- Promptly remove old or weak batteries since they can leak chemicals that can destroy electronic parts.

BATTERY SAVER

If a key on the remote becomes stuck or held for an extended period, the remote will stop sending IR signal after 30 seconds.

ADJUST CONTRAST

Adjust the contrast on the screen of your new *Guide Remote*. Each time batteries are removed and replaced in the *Guide Remote*, you can adjust the contrast on the display screen to your desired level.



To adjust the contrast level, repeatedly press the left or right arrow keys located directly below the display screen.

Remote Control

REMOTE SETUP

You can use the remote control's device keys to control the following devices:

TV (television), VCR (Video Cassette Recorder), CBL/SAT (Cable converter or Satellite/Digital Satellite System receiver) or DVD (Digital Video Device) Player.

The default brands and codes preset in the remote are as follows:

- RCA TV (0200),
- RCA SAT receiver (0496),
- RCA VCR (0817) and
- RCA DVD player (0450)

To control devices other than the default brands perform the following steps. Skip this section if you use the default brands.

- Refer to the Manufacturers Codes on page 26 and write down the codes(s) for the brand of each device you want to program.
- Turn on all your home entertainment devices.

PROGRAM SETUP CODES

To set up the remote to control other devices or to change the set up of the default TV perform the following steps. For this example we will set up the remote to control a Curtis Mathis TV using manufacturers' code 0 5 9 1.

1. Press the **TV** key. The red light blinks one time.
2. Press the **P** key. The red light blinks two times.
3. Enter **0 5 9 1** using the digit keys. The red light blinks one time for each digit entered.
4. Press the **P** key. If the device is in the library the red light will blink three times indicating acceptance of the code. If the device does not exist, the red light will not blink on the remote.

Repeat the above steps to program codes into remote to control other devices.

For some combo devices (e.g. TV/VCR, DVD/VCR, etc.), you may need to set up each device type. Press **TV** key to set up TV and enter manufacturers' code. Then press the **VCR** key and use the VCR code listed.

Remote Control

MANUAL CODE SEARCH

If the *Guide Remote** does not operate your device, when set up, you may not have entered the correct 4-digit code. You may manually search for codes in each device category to locate one that operates your brand of device. See page 26 for list of Manufacturer's codes. To manually search for a codes that works on your device perform the following steps.

1. Press device key (**TV, VCR, CBL/SAT** or **DVD**). The red light blinks one time.
2. Press the **P** key. The red light blinks two times.
3. Press the **0 0 0 0** digit keys. The red light blinks one time.
4. Press the **P** key. The red light blinks three times.
5. Press any IR key (**POWER, CH+, CH-, VOL+, VOL-**, etc.). The red light blinks one time for each key pressed.
6. If the device operates the desired function, press the device key (**TV, VCR, CBL/SAT** or **DVD**) to exit and save the code. The red light blinks one time.
7. If the device does not operate the desired function, press the **P** key then the desired IR key(s), (**POWER, CH+, CH-, VOL+, VOL-**, etc.) again. Repeat the process until you find a code that operates your device.
8. Once you find a code that works press the device key (**TV, VCR, CBL/SAT** or **DVD**) to exit and save the code.

AUTO CODE SEARCH

The remote can perform an auto-search to locate a code that operates your devices. To allow the remote to perform an auto-search for a code perform the following steps.

1. Press the desired device key (**TV, VCR, CBL/SAT** or **DVD**) on which to perform a code search. The red light blinks one time.
2. Press the **P** key. The red light blinks two times.
3. Press the **7** digit key. The red light blinks one time.
4. Press the **P** key. The red light blinks three times.
5. At 2.5-second intervals, the remote will send **POWER** key commands. If the device does not have a power code, the remote will send the following commands in order, **PLAY, CH+** and **MUTE** IR. If none of these commands exists for the device, the device is skipped.
6. Press the device key (**TV, VCR, CBL/SAT** or **DVD**) to stop auto-search and save the code. Press any other key except device key to terminate the search without saving a code. The **P** key is ignored if pressed to terminate auto search.

Note: It may take up to several minutes to locate a code that operates the device.

Remote Control

VIEW DEVICE CODES

To determine the 4-digit code for each device set up in your remote perform the following steps:

VIEWING CODES

1. Press the desired device key (**TV, VCR, CBL/SAT or DVD**). The red light blinks one time.
2. Press **P** key. The red light blinks two times.
3. Press number **1** digit key. Press **P** key. Count the blinks (for example, if the red light blinks five times the first digit in the code is 5). Write down the number.

Note: The red light will not blink if the digit in the code is the number **0**.

4. Press number **2** digit key. Press **P** key. Count the blinks. Write down the number.
5. Press number **3** digit key. Press **P** key. Count the blinks. Write down the number.
6. Press number **4** digit key. Press **P** key. Count the blinks. Write down the number.

You can re-verify the number of blinks to identify either the first, second, third or fourth digit in the code by repeating any of the above steps.

Press any device key (**TV, VCR, CBL/SAT or DVD**) to exit this mode. The remote automatically exits this mode after 20 seconds of inactivity.

REASSIGNING DEVICE KEYS

You can reassign a device key (**TV, VCR, CBL/SAT or DVD**) to control any type device. For example, the VCR key can be set up to control a second TV, or the DVD key can be set up to control a second VCR.

Note: You must use the device category assigned to the key to perform an Auto Search and Manual Search.

Remote Control

PROGRAMMING MACROS

The *Guide Remote** has two hard keys for programming macros. Program each macro key to send one command containing up to 32 keystrokes.

RECORDING MACRO

Perform these steps to program macros.

1. Press any device key (**TV, VCR, CBL/SAT or DVD**). The red light blinks one time.
2. Press the **P** key. The red light blinks one time.
3. Press Macro Key 1 or 2. The red light blinks 3 times.
4. Press the desired keys (**TV, VCR, POWER, CH +, PLAY**, etc.) associated with the macro you want the remote to execute. The red light blinks one time for each key press.
5. Press the **P** key. The red light blinks three times.

NOTES:

- Press the **LIGHT** key to add ½ second delays. Each press of the **LIGHT** adds a ½ second delay.
- If your original remote control requires you to press Enter, Select or any other command, press **ENTER** after entering the channel number.
- Repeat Steps 1-4 above to assigning a new macro to either **MACRO** key. The previous macro will be overwritten.

PLAYING MACRO

To play a macro, press the appropriate **MACRO** key.

If you want to add another macro to the second macro key, repeat the above steps and substitute the desired key sequence for the macro you wish the remote to perform.

PUNCH-THROUGH

The Punch-Through feature lets you control two or more different devices without having to press the device keys for each one. For instance, with Punch-Through enabled, you can control the TV and/or VCR volume through your Cable converter. Punch-Through is always on unless you disable it.

Remote Control

VOLUME LOCK

Your remote's Volume Lock is preset to ON, so the volume and mute keys only control the TV volume, no matter which device is selected. If your device (CBL, VCR or SAT) has volume keys, the remote will ignore them and control volume through your TV. If you want to control the volume of other devices through your TV, skip the next section.

Note: TV/VCR Combo devices do not use this feature.

If you want to control the volume through each of your devices, perform the following steps:

TURN OFF VOLUME LOCK

Volume Unlock – CBL/SAT

1. Press **CBL/SAT** key. The red light blinks one time.
2. Press **P** key. The red light blinks two times.
3. Press number **5** digit key. The red light blinks one time.
4. Press **P** key. The red light blinks 2 times.

Volume lock to CBL/SAT is now turned off. If you want to control volume through Cable/SAT, you must be in the Cable/SAT mode.

Volume Unlock – VCR

1. Press **VCR** key. The red light blinks one time.
2. Press **P** key. The red light blinks two times.
3. Press number **5** digit key. The red light blinks one time.
4. Press **P** key. The red light blinks two times.

Volume lock to VCR is now turned off. If you want to control volume through your VCR, you must be in the VCR mode.

Volume Unlock – DVD Player

1. Press **DVD** key. The red light blinks one time.
2. Press **P** key. The red light blinks two times.
3. Press number **5** digit key. The red light blinks one time.
4. Press **P** key. The red light blinks two times.

Volume lock to DVD is now turned off. If you want to control volume through your DVD, you must be in the DVD mode.

Remote Control

TURN ON VOLUME LOCK

You can turn on or reset Volume Lock to control volume through your TV by performing the following steps:

Note: If no device is set up in the selected mode, the remote will punch-through and attempt to find one. If none is found, it will not send the volume lock command.

Volume Lock – Cable Converter or SAT/DSS Receiver

1. Press **CBL/SAT** key. The red light blinks one time.
2. Press **P** key. The red light blinks two times.
3. Press number **5** digit key. The red light blinks one time.
4. Press **P** key. The red light blinks one time.

Volume to cable converter or satellite receiver is now controlled through TV.

Volume Lock – VCR

1. Press **VCR** key. The red light blinks one time.
2. Press **P** key. The red light blinks two times.
3. Press number **5** digit key. The red light blinks one time.
4. Press **P** key. The red light blinks one time.

Volume to VCR is now controlled through TV.

Volume Lock – DVD Player

1. Press **DVD** key. The red light blinks one time.
2. Press **P** key. The red light blinks two times.
3. Press number **5** digit key. The red light blinks one time.
4. Press **P** key. The red light blinks one time.

Volume to DVD is now controlled through TV.

DVD/VCR KEYS

DVD/VCR (transport) keys that have no function in the current device "punch-through" to the VCR device. Example: Specific VCR keys (Play, Stop, Fast Forward, Rewind, Pause, Record) will transmit these VCR IR codes in the Cable, Sat and TV mode.

The default setting in the Guide Remote is for the transport keys to Punch-Through to the default VCR. If you have a VCR set up in the remote but want the transport keys to punch-through to be controlled by your DVD player, turn on Priority-Press and map the transport keys to the DVD player.

The transport keys will also punch-through to the DVD Player if you set up a DVD player under the VCR key.

Transport keys will not punch-through to VCR, Cable and Sat if device has Video on Demand feature. VOD functions are maintained.

Remote Control

PRIORITY-PRESS

Priority-Press gives you the ability to assign common functions to keys associated with your entertainment devices, regardless of which mode you are in, with the press of one key.

Once set up, priority-press keys will only control the assigned device, regardless of the currently active mode.

Example: You can set up the volume keys to only control the TV, the channel keys to control the cable box, the transport keys to control the DVD and the power key to only operate the cable or satellite box.





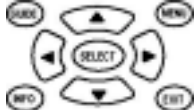
PRIORITY-PRESS KEY CLASS

There are four priority-press key classes, Channel (CH up and CH down), Volume (VOL up and VOL down) and Transport (Play, Stop, FAST Forward, Rewind, Pause and Record) and Power.

Remote Control

PRIORITY-PRESS KEY CLASS TABLE

The table below details the classification of Priority-Press keys (See Page 14 for more information on Priority-Press).

PRIORITY-PRESS KEY CLASSES	KEY LABEL
Power 	POWER
Channel 	CH +
	CH -
	LAST
	ENTER
	Digit Keys (0-9)
Volume 	VOL +
	VOL -
	MUTE
Transport (VCR/DVD Keys) 	REW
	PLAY
	FFWD
	REC
	STOP
	PAUSE
Menu (Navigation Keys) 	GUIDE
	MENU
	SELECT
	INFO
	EXIT
	NAVIGATION ARROWS

Remote Control

TURN ON POWER KEY PRIORITY-PRESS

The Power key class is the POWER key. To setup Power class key perform the following steps:

Power Key Priority-Press Setup

1. Press a device key (**TV, VCR, CBL/SAT** or **DVD**). The red light blinks one time.
2. Press **P** key. The red light blinks two times.
3. Press Power Key. The red light blinks three times.

When the POWER key is pressed, power on/off will only work for the selected device.

CHANNEL KEY PRIORITY-PRESS

The Channel class keys are CH+, CH- Last and the digit keys. To setup and turn on channel class key to various devices perform the following steps:

Channel Key Priority-Press Setup – TV

1. Press **TV** key. The red light blinks one time.
2. Press **P** key. The red light blinks two times.
3. Press number **CH+, CH- or Last** key. The red light blinks three times.

When the CH+, CH-, Last or digit keys are pressed the remote will only change channels through TV.

Channel Key Priority-Press Setup – CBL/SAT

1. Press **CBL/SAT** key. The red light blinks one time.
2. Press **P** key. The red light blinks two times.
3. Press number **CH+, CH- or Last** key. The red light blinks three times.

When the CH+, CH-, Last or digit keys are pressed the remote will only change channels through the CBL/SAT box.

Channel Key Priority-Press Setup – VCR

1. Press **VCR** key. The red light blinks one time.
2. Press **P** key. The red light blinks two times.
3. Press number **CH+, CH- or Last** key. The red light blinks three times.

When the CH+, CH-, Last or digit keys are pressed the remote will only change channels through the VCR.

Note: Digit keys cannot be used to program the channel class. To remove Channel Key Priority-Press repeat the set up steps for the appropriate device.

Remote Control

VOLUME KEY PRIORITY-PRESS

The Volume class keys are VOL+, VOL- and MUTE. To set up volume class key perform the following steps:

Volume Key Priority-Press Setup – TV

1. Press **TV** key. The red light blinks one time.
2. Press **P** key. The red light blinks two times.
3. Press **VOL+**, **VOL-** or **MUTE** key. The red light blinks three times.

When the **VOL+**, **VOL-** or **MUTE** keys are pressed, the volume will only be controlled through the TV.

Volume Key Priority-Press Setup – CBL/SAT

1. Press **CBL/SAT** key. The red light blinks one time.
2. Press **P** key. The red light blinks two times.
3. Press **VOL+**, **VOL-** or **MUTE** key. The red light blinks three times.

When the **VOL+**, **VOL-** or **MUTE** keys are pressed, the volume will only be controlled through the CBL/SAT box.

Volume Key Priority-Press Setup – VCR

1. Press **VCR** key. The red light blinks one time.
2. Press **P** key. The red light blinks two times.
3. Press **VOL+**, **VOL-** or **MUTE** key. The red light blinks three times.

When the **VOL+**, **VOL-** or **MUTE** keys are pressed, the volume will only be controlled through the VCR.

Volume Key Priority-Press Setup – DVD

1. Press **DVD** key. The red light blinks one time.
2. Press **P** key. The red light blinks two times.
3. Press **VOL+**, **VOL-** or **MUTE** key. The red light blinks three times.

When the **VOL+**, **VOL-** or **MUTE** keys are pressed, the volume will only be controlled through the DVD.

To remove Volume Key Priority-Press repeat the setup steps for the appropriate device. Two blinks of the red light indicate Volume Lock is turned off.

TRANSPORT KEYS PRIORITY-PRESS

The Transport class keys are **REW**, **PLAY**, **FFWD**, **REC**, **STOP**, and **PAUSE**. To setup and turn on transport class keys to devices perform the following steps:

Transport Key Priority-Press Setup

1. Press **VCR** or **DVD** key. The red light blinks one time.
2. Press **P** key. The red light blinks two times.
3. Press a Transport Class Key. The red light blinks three times.

When a Transport Class key is pressed, transport keys will only work for the selected device.

Remote Control

TURN ON MENU KEY PRIORITY-PRESS

The Menu class keys are **MENU**, **SELECT**, **GUIDE**, **INFO**, **EXIT** and Navigation arrows. To setup and turn on menu class key to various devices perform the following steps:

Menu Key Priority-Press Setup

1. Press device key (**TV**, **VCR**, **CBL/SAT** or **DVD**). The red light blinks one time.
2. Press **P** key. The red light blinks two times.
3. Press Menu Class Keys. The red light blinks three times.

When a Menu Class key is pressed, the menu will only work for the selected device.

PUNCH-THROUGH VS PRIORITY PRESS

Punch-Through and Priority-Press are mutually exclusive features. If Priority-Press is turned on, Punch-Through is turned off. If Priority-Press is turned off, Punch-Through is turned on.

Note: If you enable priority-press with no class key priorities programmed the remote does not send either Punch-Through or Priority-Press command.

TOGGLE PUNCH-THROUGH AND PRIORITY-PRESS

To toggle between Punch-Through and Priority-Press perform the following steps:

1. Press any device key (**TV**, **VCR**, **CBL/SAT** or **DVD**). The red light will blink one time.
2. Continue to press and hold the device key for 3.5 seconds.
 - If the red light blinks three times, Punch-Through is OFF and Priority-Press is ON.
 - If the red light blinks two times, Punch-Through is ON and Priority-Press is OFF.

Remote Control

BACKLIGHT

- Press the **LIGHT** key to turn on the backlight. When the **LIGHT** key is pressed, the backlight is preset to stay on for 5 seconds.
- Each time any key is pressed, the 5 second timeout is reset. If no key is pressed for 5 seconds, the backlight will turn off.
- If the **LIGHT** key is pressed while the backlight is on, it will turn off.

The backlight on your remote can be set to turn on and stay on for up to 10 seconds. To change the backlight setting to a 10-second timeout perform the following steps:

1. Press any device key (**TV**, **VCR**, **CBL/SAT** or **DVD**). The red light blinks 1 time.
2. Press the **P** key. The red light blinks 2 times.
3. Press the number **9** digit key. The red light blinks 1 time.
4. Press the **P** key. The red light blinks 2 times. The backlight will now remain on for up to 10 seconds after the last key is pressed.

Repeat steps 1-4 to change the backlight setting back to a 5 second timeout. The red light blinks **1** time in step four to indicate a 5 second backlight timeout.

FACTORY RESET

The **Guide Remote*** can be reset to the factory default settings. Once reset, all macros and setup devices revert to default settings and devices. To reset remote to factory settings, perform the following steps.

1. Press any device key. The red light blinks 1 time.
2. Press the **P** key. The red light blinks 2 times.
3. Press the number **8** digit key. The red light blinks 1 time.
4. Press and hold the **P** key for 3 seconds. The red light blinks 2 times.

Activating Guide

COMPUTER REQUIREMENTS

Minimum system requirements for software installation and use:

A PC running Windows 98SE / 1ME / 2000 / 2XP

Internet Explorer 5.0+, Netscape 4.0+ or AOL 5.0+ Browser

Note: Microsoft Internet Explorer 5.0 *must* be installed on your computer even if it is not your default browser, because *RemoteLinker II* uses resource files provided only with Internet Explorer.

An available USB Port.

A CD ROM Drive.

Minimum of 5 MB free hard disk space.

Minimum of 8 MB RAM.

Active connection to the Internet.

INSTALL USB DRIVERS

1. Connect the *RemoteLinker II* cable to your *Guide Remote* and to an available USB port on your computer.
2. Wait for your computer to finish installing the required drivers.
3. Disconnect the cable from the remote.

INSTALL REMOTELINKER II* SOFTWARE

1. **IMPORTANT:** Temporarily disable any anti-virus software running on your PC.
2. Insert the *RemoteLinker II* CD in your CD ROM drive. Follow the installation instructions on the computer screen.
3. When prompted, click on the option to install the *RemoteLinker II* icon to the desktop.

After successful installation, a *RemoteLinker II* icon will appear in the system tray. This is usually located in the lower right corner of your computers screen near the clock.



Note: ¹ *RemoteLinker II* has been successfully tested on all of the above mentioned operating systems. This software was specifically designed to use USB drivers supplied by Microsoft in each operating system and does not install drivers for you. Reliability is assured if the following three conditions are met:

- The system meets the minimum system requirements.
- The operating system and all the USB drivers were properly installed without errors.
- The systems anti-virus software was disabled during the *RemoteLinker II* software installation.

²Some computers require a shutdown and restart to complete installation of software. Please follow your systems instructions if it prompts you to perform a shutdown and restart.

Activating Guide

ACTIVATING GUIDE

Verify or establish an active connection to the Internet. You must be online to complete the activation process. Verify the connection or connect the *RemoteLinker*[®] cable to the remote and PC.

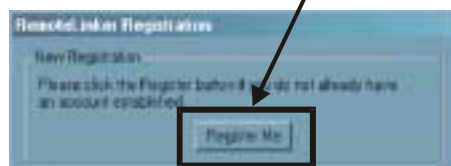
An Activation page should appear.



1. First-time Users (Only)

Click on the "Register Me" button to continue the activation process.

Click here to continue Activation



2. Enter User Profile Information

Note: You must enter a VALID EMAIL ADDRESS

Activating Guide

ACTIVATING GUIDE (CONTINUED)

3. Select Guide Lineup

You may customize the Guide downloaded in your *Guide Remote** in the SETTINGS section at the Web site. Some of the customization features are as follows:

Please select the time of day for your Guide

Download guide schedule	Early Morn - 6am	Morning 6am - 12pm	Afternoon 12pm - 3pm	Prime 3pm - 8pm	Evening 8pm - 12am	LEB 12am - 6am	All Day
Mon - Fri	<input type="checkbox"/>	<input checked="" type="checkbox"/>	<input checked="" type="checkbox"/>	<input type="checkbox"/>	<input type="checkbox"/>	<input type="checkbox"/>	<input type="checkbox"/>
Sat - Sun	<input type="checkbox"/>	<input checked="" type="checkbox"/>	<input checked="" type="checkbox"/>	<input type="checkbox"/>	<input type="checkbox"/>	<input type="checkbox"/>	<input type="checkbox"/>

- a. **Week Day Guide** – If you only watch TV Monday through Friday you may choose to select only a customized Week Day Guide. If you only watch TV the mornings, afternoon, or evenings, you may choose to only download TV Listings for the part of the day that you watch TV.
- b. **Weekend Guide** - If you only watch TV on the weekends you may choose to select only a customized Weekend Guide. If you only watch TV in the mornings, afternoon, or evenings, on the weekend you may choose to only download TV Listings for the part of the day that you watch TV on the weekend
- c. **Complete or Customized Guide** – You may choose to download the full Guide of TV Listings, or a combination of weekday and weekend day parts in to your *Guide Remote*.

4. Select Channel Lineup

Select the channels you want to appear in your *Guide Remote*.

Notes: At the end of the activation and sign-up process you will be sent a confirmation email.



5. Check EMAIL

Check your email account and click on the link in the email to complete the activation process.

Using the Guide

DOWNLOAD TV LISTINGS

You will see a message on your new *Guide Remote** display screen indicating you can download or update the Guide Listings in you remote.



Download New Data

Under these three conditions, you will see the *Download New Data* message on your remotes display screen.

- New *Guide Remote* that has not been synced for the first time.
- *RemoteLinker II* cable is connected to *Guide Remote* and computer.
- The *RemoteLinker II* cable was unplugged from *Guide Remote* while Guide Listing update was in progress.

Establish an Internet connection then connect the *RemoteLinker II* cable to your PC and *Guide Remote* anytime you see this message to sync your remote.

UPDATING TV LISTINGS

Establish an Internet connection and connect the *RemoteLinker II* cable to your remote and PC at anytime to update your TV Listings.

NAVIGATING GUIDE SCREEN



Use these keys to navigate Guide listings on the display screen.

Using the Guide

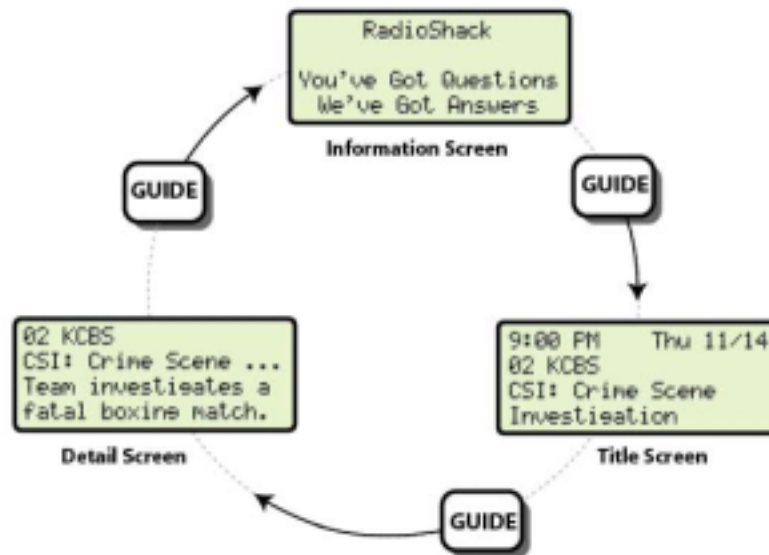
USING GUIDE KEY

Your *Guide Remote** contains two types of TV Listings, **Guide Listings** and **Program Details**. It also contains an **Information Screen**.

ACCESSING GUIDE SCREENS

1. Press the **GUIDE** key once to access the program **Title Screen**.
2. Press the **GUIDE** key a second time to the program **Detail Screen**.
3. Press the **GUIDE** key a third time to go to the **Information Screen**.

Continue to press of the **GUIDE** key to toggle to the next screen.



Use the navigation keys to scroll Up, Down, Left or Right, in each of the Guides and the Information screens for additional information.



Using the Guide

TITLE SCREEN

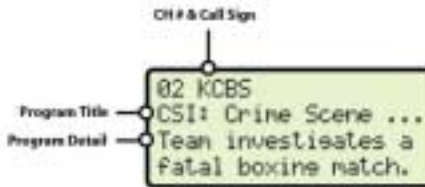
Personalize **TV Listings** of up to 7 days at the Web site and download them into your **Guide Remote***. Below is an example of a typical screen you will see when scrolling through the **TV Listings**.



Press the **Left** and **Right** Arrows to view the **TV Listings** in previous or next half-hour timeslot. Press the **Up** and **Down** Arrows to view the **TV Listings** for additional shows in the channel lineup.

DETAIL SCREEN

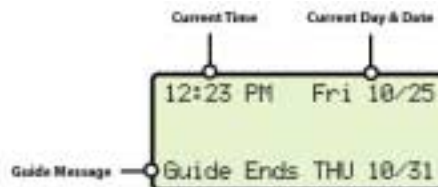
The **Program Details** in your **Guide Remote** give you detailed information about the show you may want to watch. Get a brief description of show contents, channel number, station call sign and additional information on the display screen.



Press the **Left** and **Right** Arrows to view the **Program Details** of shows in the previous or next half-hour timeslot. Press the **Up** and **Down** Arrows to view the **Program Details** for additional shows in the channel lineup.

GUIDE EXPIRATION

Press and hold the **GUIDE** key to view the current time current day and date, and Guide expiration date.



Manufacturers' Codes

MANUFACTURERS' CODES

The following lists tell you which 4-digit codes to enter to set up the *Guide Remote™*.

Notes:

- The remote control might not have every command featured on your original remote controls.
- A key on the *Guide Remote* that has the same name may have a slightly different function.
- Some codes are very similar and may operate some but not all the desired functions as your original remote. Try different codes to attempt to locate one that operates most or all desired functions.

TV CODES

Brand	Codes
ADMIRAL	0716, 0710, 0667, 0643, 0718, 0584, 0600, 0951, 0968
ADVENT	0716
ADVENTURA	0611
AIKO	0696
AIWA	0549, 0544, 0546
AKAI	0637, 0644, 0649, 0724, 0682
ALLERON	0584, 0600
AMARK	0961
ANAM	0600, 0591, 0950, 0944, 0961
ANAM NATIONAL	0668, 0636, 0600, 0682
AOC	0637, 0906, 0644, 0961, 0588, 0568, 0646
APEX	1073, 0707
ARCHER	0961
AUDIOVOX	0961, 0600, 0949
AUDIO DYNAMICS	0740
BELCOR	0644, 0906
BELL AND HOWELL	0584, 0710, 0716, 0600, 0642
BLAUPUNKT	0558, 0658
BRADFORD	0600
BROCKWOOD	0906, 0644

Manufacturers' Codes

Brand	TV Codes
BROKSONIC	0644, 0637, 0926, 0549, 0961, 0600, 0623
CANDLE	0637, 0644, 0611, 0560
CAPEHART	0646
CARNIVALE	0644
CARVER	0578, 0629, 0570
CCE	0579
CELEBRITY	0682
CENTURION	0644
CETRONIC	0600
CITIZEN	0576, 0959, 0644, 0637, 0906, 0586, 0611, 0696, 0560, 0600, 0905
CLAIRTONE	0588
CLASSIC	0600
COLORTYME	0644, 0906
CONCERTO	0637, 0644, 0906
CONTEC/CONY	0600, 0588
CORONADO	0639, 0959
CRAIG	0623, 0874, 0566, 0720, 0600, 0668
CROSLEX	0567
CROWN	0959, 0600
CURTIS MATHES	0720, 0710, 0605, 0644, 0906, 0959, 0586, 0643, 0629, 0642
CXC	0600
DAEWOO	0873, 0564, 0949, 0696, 0644, 0906, 0868, 0728, 0959, 0630, 0600, 0904, 0545
DAYTRON	0694, 0637, 0644, 0906, 0959, 0696,
DENON	0716
DUMONT	0906, 1043
DYNASTY	0600
DYNATECH	0611, 0945
ELECTROBAND	0682, 0588
ELECTROHOME	0906, 0644, 0682, 0941, 0982
EMERSON	0694, 0567, 0623, 0874, 0566, 0720, 0644, 0906, 0676, 0718, 0549, 0803, 0576, 0593, 0588, 0959, 0620, 0600, 0584, 0561, 0896, 0902
ENVISION	0644
FISHER	0721, 0642, 0597, 0897

Manufacturers' Codes

Brand	TV Codes
FORTRESS	0716
FUJITSU	0584
FUNAI	0713, 0600, 0584
FUTURETECH	0600
GE	0200, 0704, 0200, 0636, 0626, 0667, 0644, 0566, 0582, 0643, 0645, 0682, 0624, 0607, 0937, 0948, 0960, 0965, 0969, 0547, 0968
GIBRALTER	1043, 0644, 0906
GOLDSTAR	0686, 0694, 0875, 0628, 0637, 0644, 0906, 0959, 0618
GRISWOLD	0069, 0592
GRUNDY	0600, 0584
HALLMARK	0644, 0906, 0584, 0623
HAVARD	0644, 0600, 0584, 0623
HITACHI	0724, 0555, 1072, 0694, 0708, 0644, 0906, 0819, 0581, 0898, 0563, 0959, 0620, 0637, 0599, 0621, 0909, 0967
IMA	0600
INFINITY	0629
JANEIL	0611
JBL	0629
J.C. PENNEY	0636, 0628, 0644, 0906, 0961, 0573, 0645, 0643, 0959, 0608, 0935, 0586, 0624, 0607
JCB	0682
JENSEN	0644, 0906, 0899
JVC	0722, 0551, 0670, 0603, 0645, 0985
KAWASHO	0644, 0906, 0682
KAYPANI	0646
KEC	0600, 0586
KENWOOD	0644, 0906
KLOSS	0611, 0644, 0612
KLOSS NOVABEAM	0612, 0611
KMC	0618
KONKA	0705
KTV	0697, 0694, 0713, 0715, 0600, 0720, 0644, 0576, 0579, 0588, 0959
LINATECH	0069, 0592
LODGENET	1043

Manufacturers' Codes

Brand	TV Codes
LOEWE	0629
LOGIK	0710, 0600, 0623
LUXMAN	0637, 0644, 0906
LXI	0553, 0721, 0642, 0605, 0950, 0567, 0629, 0667, 0643, 0637, 0644, 0906, 0907, 0900
MAGNASONIC	0961, 0716, 0935, 0644, 0906, 0629, 0584, 0696
MAGNAVOX	0725, 0920, 0629, 0694, 0567, 0586, 0644, 0637, 0906, 0578, 0572, 0609, 0612, 0614, 0560
MAJESTIC	0710, 1043
MARANTZ	0629, 0578, 0572, 0644, 0906
MEGATRON	0961, 0724, 0644, 0906
MEI	0645, 0588
MEMOREX	0676, 0907, 0637, 0644, 0906, 0549, 0700, 0618, 0710, 0642
MGA	0563, 0700, 0644, 0906
MIDLAND	0645, 0643, 1043
MINUTZ	0624
mitsubishi	0557, 0644, 0637, 0906, 0629, 0700, 0958 0695, 0563, 0716, 0649, 0682, 0917, 0939, 0821
MONTGOMERY WARD	0578, 0582, 0572, 0634, 0629, 0614, 0609, 0710, 0644, 0637, 0906, 0718, 0624, 0607, 0694, 0567, 0568, 0584, 0642
MOTOROLA	0700, 0716, 0645, 0636, 0629, 0682
MTC	0637, 0644, 0906, 0630, 0588, 0586
MULTITECH	0579, 0600
NAD	0935, 0903, 0644, 0906
NEC	0912, 0557, 0644, 0637, 0906, 0682, 0570, 0962, 0552
NIKEI	0600
NIKKO	0696, 0644, 0906
NTC	0696
ONKING	0600
ONWA	0600
OPTIMUS	0600, 0700, 0584, 0718, 0642, 0903
OPTONICA	0716, 0718
ORION	0600, 0584, 0623, 1043
PANASONIC	0719, 0950, 0930, 0955, 0650, 0645, 0626, 0636, 0687, 0668, 0556, 0826, 0601, 0629, 0682
PHILCO	0694, 0644, 0906, 0567, 0629, 0578, 0609, 0612, 0614, 0560

Manufacturers' Codes

Brand	TV Codes
PHILIPS	0567, 0578, 0572, 0629, 0609, 0614, 0682, 0607, 0644, 0906, 0956
PILOT	0644, 0906
PIONEER	0747, 0727, 0903, 0605, 0626, 0620, 0644, 0906, 0651, 0963, 0964
PORTLAND	0693, 0644, 0959, 0906, 0696
PRISM	0645, 0636
PROSCAN	0703, 0550, 0582, 0592, 0643, 0634, 0620, 0608, 0906
PROTON	0961, 0622, 0959, 0644, 0906, 0646
PULSAR	1043, 0696, 0644, 0906
QUASAR	0826, 0715, 0636, 0626, 0930, 0687, 0668, 0650, 0645, 0682
RADIOSHACK	0695, 0720, 0721, 0642, 0667, 0643, 0637, 0644, 0906, 0861, 0959, 0639, 0718, 0600
RCA	0200, 0706, 0693, 0636, 0691, 0550, 0562, 0558, 0667, 0861, 0644, 0689, 0592, 0637, 0567, 0674, 0582, 0643, 0716, 0634, 0620, 0719, 0906, 0608, 0682, 0931
REALISTIC	0637, 0642, 0644, 0906, 0600, 0718
RHAPSODY	0588
RUNCO	0644, 1043, 0960, 0970, 0971, 0977, 0978
SAMPO	0644, 0646, 0906
SAMSUNG	0701, 0586, 0772, 0775, 0698, 0699, 0694, 0637, 0644, 0906, 0554, 0959, 0639, 0554
SANSUI	0676, 0456
SANYO	0721, 0642, 0597, 0571, 0644, 0906, 0901, 0943
SCIMITSU	0906
SCOTCH	644, 0906
SCOTT	0720, 0637, 0600, 0584, 0959, 0623, 0644, 0906
SEARS	0629, 0642, 0571, 0643, 0584, 0907, 0573, 0935, 0597, 0644, 0637, 0906
SHARP	0716, 0880, 0694, 0718, 0959, 0559, 0644, 0906, 0936, 0976, 1071
SHOGUN	0906, 0644
SIGNATURE_2000	0722, 0566, 0710, 0716, 0906, 0643, 0629
SIMPSON	0644, 0578, 0560
SONIC	0588

Manufacturers' Codes

Brand	TV Codes
SONY	0682, 0667, 0644, 0689, 0669, 0598, 0568, 0620, 0565, 0966, 0979, 0980
SOUNDESIGN	0600, 0644, 0906, 0560, 0584
SPECTRACON	0961, 0600, 0637, 0644, 0906
SSS	0906, 0644, 0600, 0623
STARLITE	0600, 0906, 0623
SUPRE MACY	0611, 0560
SUPREME	0682
SYLVANIA	0553, 0713, 0644, 0637, 0906, 0567, 0629, 0578, 0572, 0614, 0612, 0609, 0560
SYMPHONIC	0713, 0553, 0720, 0600, 0584
TANDY	0657, 0716, 0643, 0629, 0718
TATUNG	0636, 0961, 0645, 0682
TECHNICS	0645, 0636
TECHNOL ACE	0584
TECHWOOD	0637, 0644, 0906, 0961, 0645
TEKNIKA	0637, 0644, 0906, 0959, 0586, 0710, 0611, 0696, 0700, 0584, 0600, 0560, 0629
TERA	0622, 0906, 0644
THOMSON	0596, 0595
TIME WARNER	225
TMK	0637, 0644, 0906, 0623
TOSHIBA	0907, 0707, 0553, 0716, 0605, 0935, 0573, 0642, 0586
TOSONIC	0588
TOTEVISION	0959
UNIVERSAL	0643, 0624, 0607
VECTOR RESEARCH	0722, 0644
VICTOR	0722
VIDEO CONCEPTS	0649
VIDTECH	0724, 0567, 0637, 0644, 0906
VIKING	0611
WEB TV	0825
YAMAHA	0906, 0644
YORK	0644
ZENITH	0724, 0711, 0710, 0637, 0644, 0906, 0865, 0949, 0961, 1043, 0696, 0957
ZONDA	0961, 0773

Manufacturers' Codes

CABLE CODES

Brand	Codes
ABC	0227, 0231, 0239, 0250, 0617, 0995
ALLEGRO	0243, 0208, 0914
ANTRONIX	0243
ARCHER	0208, 0259, 0243, 0281, 0990
BELLSOUTH	0883
CABLETENNA	0259
CABLEVIEW	0259
CENTURY	0208
CITIZEN	0208, 0249
CLEAR MAX	0702
COMCAST	0238
COMTRONICS	0228, 0204
COX	0225, 0238
CTX	0208
DIGITAL ENTERTAINMENT	0501
EAGLE COMTRONICS	0228, 0996
EASTERN	0235
ELECTRICORD	0211
EMERSON	0295
EVERQUEST	0226, 0228
EXPLORER	0225
GARRARD	0208
GC ELECTRONICS	0215
GE	0272, 0267, 1006
GEMINI	0216, 0219, 0217, 0993, 0299, 0226, 0192, 0244
GENERAL INSTRUMENT	0238, 0187, 0248, 0226, 0195, 0196, 0192, 0244, 0250, 0229, 0231, 0194, 0266
GOLDSTAR	0228
HAMILTON	0188, 0189, 0198
HAMLIN/REGAL	198, 0191, 0236, 0240, 0202, 0201, 0277, 0230, 0189, 1000, 0188
HARMON KARDON	0213
HITACHI	0229, 0231

Manufacturers' Codes

Brand	Cable Codes
HITEX	0227
JASCO	0208
JERROLD	0229, 0231, 0195, 0196, 0226, 0238, 0194, 0187, 0248, 0192, 0244, 0250, 0989, 1004
KINGSTON	0204, 0208, 0283
MACOM	256
MAGNAVOX	0991, 1009, 1010, 1003
MEDIA ONE	0238
MEMOREX	0797, 0914
mitsubishi	1013
MOTOROLA	0238
MOVIE TIME	0211, 0207, 0199
NOVAPLEX	0222, 0919
NOVAVISION	0224, 0233, 0239
NSC	0207, 0199, 0992, 1005
OAK	993, 0227, 0994, 0997
OMEGA	0226, 0228
OPTIMUS	504
PANASONIC	0197, 0294, 0210, 0914, 0998
PARAGON	0797, 0914
PHILIPS	0214, 0220, 0186, 1002
PHILIPS	0193, 0204, 0258, 0251, 0252, 0260, 0276
PIONEER	0214, 220, 0186, 1002
POPULAR MECHANICS	0471
PULSAR	0797, 0914
RCA	0197, 0294, 0496, 0492, 0498, 0867, 0503, 0494
RECOTON	1012
REGAL	0236, 0202, 0201, 0189, 0198
REGENCY	0235
REMBRANDT	0219
RUNCO	0797, 0914
SAMSUNG	0228
SCIENTIFIC ATLANTA	0224, 0233, 0239, 0997, 0999
SIGNAL	0228
SIGNATURE	0229, 0231

Manufacturers' Codes

Brand	Cable Codes
SKYCABLE	0918
SL MARX	0228
SONY	0234, 0998, 1011
SPRUCER	0197, 0294
STD COMPONENTS	0217
STARCOM	0226, 0187, 0192
STARGATE	0228, 0226, 0298
STARQUEST	0226
STORM	0885
SYLVANIA	0237
TANDY	0203
TEKNIKA	0255
TELECATION	0212
TELEVIEW	0228
TEXSCAN	0237, 0300
TIME WARNER	0225
TOCOM	0190, 0617, 0669, 0672
TOSHIBA	0914, 797
TUSA	0226
TV86	0296
U.S. WEST	0813
UNICA	0259, 0243, 0208
UNITED ARTISTS	0227
UNITED CABLE	0994, 0997
UNIVERSAL	0211, 0230, 0294, 0277, 0208, 0218, 0259, 0243, 0281
VIDEO WAY	0265
VIEW MASTER	0278
VIEWSTAR	0204, 0209, 0205, 0203, 1007
WEST	0208
YAMAHA	0185
ZENITH	0221, 0247, 0298, 0914

Manufacturers' Codes

SATELLITE CODES

Brand	Codes
ACCESS	0922
DIGITAL ENTERTAINMENT	0501, 0194, 0506, 0928
DIRECTV	0497, 0493, 0849
DISH NETWORK	0502, 0825, 0888, 0890, 0267, 0282, 0297, 0511, 0825, 0895
DRAKE	0932
ECHOSTAR	0502, 0825, 0888, 0890, 0267, 0297, 0511, 0895
BROCKWOOD	0906, 0644
GENERAL INSTRUMENT	0506, 0194, 0501, 0928, 0913
HUGHES	0497, 0493, 0849
MAGNAVOX	0991, 1009, 1010, 1003
MITSUBISHI	1013
MONTGOMERY WARD	820
OPTIMUS	504
PANASONIC	0495
PHILIPS	0214, 0220, 0186, 1002, 0193, 0204, 0258, 0251, 0252, 0260, 0276, 0508
PRIMESTAR	0194, 0501, 0506, 0928
RADIOSHACK	0494
RCA	0197, 0294, 0496, 0492, 0498, 0867, 0503, 0494
SAGEM	0987
SAMSUNG	0228, 0509
SONY	0234, 0998, 1011, 0507, 0857, 0510
TOSHIBA	0500, 0496
UNIDEN	0505, 0504
ZENITH	0221, 247, 298, 0914, 0915

Manufacturers' Codes

VCR CODES

Brand	Codes
ADMIRAL	0747, 0768, 0749, 0797, 0764, 0761
ADVENTURA	0820
AIKO	0545, 1053, 0868
AIWA	0834, 0837, 0549, 0820, 0808, 0796, 0546, 0544
AKAI	0780, 0744, 0847, 0743, 0787, 0762, 0737, 0815
ALLEGRO	0797
AMERICAN HIGH	0862, 0771, 0807
ASHA	0745, 1047
AUDIO DYNAMICS	0767, 0823, 1028, 0768
AUDIOVOX	0773, 0775
BEAUMARK	0745, 1047
BELL AND HOWELL	0797, 0855
BROOKSONIC	0785, 0810, 0768, 0764, 0549, 0761
CALIXO	0773
CANDLE	0773, 0775, 0823
CANON	0828, 0819, 1046, 1039, 0857, 0862
CAPEHART	0797, 1049
CARVER	0771
CCE	0545, 1053, 0868
CITIZEN	0785, 0868
COLORTYME	0823
COLT	0820
CRAIG	0731, 0818, 0745, 1047, 0856, 1021
CURTIS MATHES	0819, 1046, 1039, 0862
CYBERNEX	0745, 1047, 0805
DAEWOO	0545, 1053, 0868, 0854, 0855, 1051, 1052, 1023, 1022
DAYTRON	0797
DBX	0767, 0768
DYNATECH	0820
ELECTROHOME	0745, 1047, 0773, 1037
ELECTROPHONIC	0773
EMERSON	0803, 0814, 0820, 0929, 0785, 0773, 0760, 0764, 0763, 1065, 0829, 0847, 0768, 0734, 0862, 0868, 0765, 0761
FISHER	0774, 0736, 0731, 0833, 0855, 0856

Manufacturers' Codes

Brand	VCR Codes
FUNAI	0820, 0868, 0747
GARRARD	0820
GE	0812, 0809, 0791, 0547, 0817, 0768, 0767, 0751, 0837, 0749, 0819, 0862, 1048, 1050, 1060
GO VIDEO	0745, 0781, 0756, 1057, 1059, 0842, 1062
GOLDSTAR	0823, 0775, 0552, 0773, 0868, 1056, 1024, 1064, 1026
GRADIENTE	0820
GRISWOLD	0841
HARLEY DAVIDSON	0820
HARMON KARDON	0775, 0740, 0552, 0813, 1031
HARWOOD	0820, 0734
HAVARD	0820
HEADQUARTER	0739, 1025, 0855
HI-Q	0731, 0856
HITACHI	0820, 0737, 0735, 0751, 0779, 0841, 0755, 0815, 0819, 0837, 0555
INSTANT REPLAY	0820, 0798, 0862, 0807
INTEQ	0773
J.C. PENNEY	0745, 0775, 0740, 0552, 0737, 1039, 0855, 0862
JCL	0807, 0862
JENSEN	0737, 0815
JVC	0769, 1032, 0737, 0815, 0838, 0551, 1038, 0788, 0732, 0758, 0855, 1035
KEC	0773, 0868
KENWOOD	0739, 1025, 0737, 0815, 0855
KLH	0820
KODAK	0924, 0819, 0773, 0862
LINATECH	0841
LLOYD	0820, 0553
LOGIK	0820, 0553
LXI	0773
M. WARD	0765, 0820, 0731, 0737, 0745, 0819, 0826, 0556, 0747, 0754, 0856
MAGNASONIC	0545, 1053, 0745, 0773, 0820, 0767, 0868
MAGNAVOX	0870, 0754, 0819, 0771, 0862, 0868, 1040
MAGNIN	0745, 1047
MARANTZ	0775, 0771, 0732, 0855, 0862, 1041, 0807

Manufacturers' Codes

Brand	VCR Codes
MARTA	0773
MASUSHITA	0924, 0747, 0819, 0771, 0862
MEI	0819, 0862
MEMOREX	0755, 0773, 0731, 0833, 0808, 0797, 0819, 0826, 0556, 0747, 0820, 0832, 0855, 0856, 0862, 1058, 1047
MGA	0835, 0847, 0846, 0819
MINOLTA	0737, 0841
MITSUBISHI	0813, 0784, 0762, 0835, 0847, 1033, 0819, 0821, 0917, 0700
MTC	0745, 1047, 0820
MULTITECH	0820
NAD	0839, 0545
NEC	0737, 0730, 0775, 0740, 0552, 0855, 0815, 0845
NECKERMANN	0760
NIKKO	0773
NIKON	0753, 1036
NOBLEX	0745
OPTIMUS	0862, 0820, 0774, 0773, 0739, 1025, 0731, 0745, 1047, 0833, 0747, 0826, 0789, 0556, 0819, 0855, 0856
OPTONICA	0742, 0747, 0826, 0556
ORION	0785, 0868, 0814
PANASONIC	0782, 0924, 0747, 0799, 0819, 1046, 0757, 0777, 0826, 0556, 1066, 0862
PENTAX	0737, 0841, 0837, 0751
PHILCO	0819, 0862
PHILIPS	0844, 1042, 0923, 0771, 0819, 0862
PILOT	0773
PIONEER	0839
PRIMESTAR	0812
PROSCAN	0749, 0550
PROTEC	0820
PULSAR	0797
QUARTER	0739, 1025
QUARTZ	0739, 1025, 0855, 0790
QUASAR	0556, 0826, 0556, 0836, 0819, 0778, 0799
RADIOSHACK	0924, 0747, 0820, 0826, 0556, 0819, 0739, 1025, 0745, 1047, 0773, 0855, 0861, 0862

Manufacturers' Codes

Brand	VCR Codes
RADIX	0773
RANDEX	0773
RCA	0817, 0893, 0879, 0812, 0809, 0737, 0841, 0547, 0757, 0792, 0767, 0754, 0777, 0751, 0819, 0749, 0837, 0862, 0768, 0931, 0766
REALISTIC	0820, 0774, 0773, 0739, 0731, 0745, 0833, 0819, 0826, 0556, 0924, 0747, 0855, 0856
RICOH	0753, 1036
RUNCO	0797, 0753, 1036, 1061
SAMSUNG	0745, 0780, 0744, 0554, 0840, 0854, 1027, 1052, 1054, 1055, 0805
SANSUI	0818, 0737, 0815, 0845
SANYO	0833, 0739, 1025, 0731, 0855, 0856
SCHNEIDER	0755
SCOTT	0765, 0764, 0768, 0854, 0761
SEARS	0804, 0819, 1046, 1039, 0774, 0773, 0736, 0739, 1025, 0731, 0737, 0833, 0841, 0855, 0856, 0862, 1044
SHARP	0924, 0747, 0933, 0826, 0556
SHINTOM	0820
SHOGUN	0745
SIGNATURE	0820, 0805
SINGER	0745, 0773, 0924, 0747, 0820, 0862
SONY	0822, 0819, 0752, 0786, 0755, 0753, 0752, 0851, 0794, 0800, 0793, 0786, 1034, 0776, 0759, 0802
STS	0737, 0862
SYLVANIA	0819, 0835, 0862
SYMPHONIC	0820
TANDY	0820, 0855
TASHIKO	0785
TATUNG	0737, 0815
TEAC	0737, 0848, 0815, 0820
TECHNICS	0819, 0862
TEKNIKA	0773, 0784, 0831, 0819, 0820, 0862
TIME WARNER	0820
TIVO	0850, 0849, 0759, 0844
TMK	0760
TOSHIBA	0765, 1045, 0774, 0835, 0854, 0927, 0784, 1030

Manufacturers' Codes

Brand	VCR Codes
TOTEVISION	0773, 0745, 1047
UNITECH	0745, 1047
VECTOR RESEARCH	0775, 0740, 0552
VICTOR	0838, 0854
VIDEO CONCEPTS	0775, 0740, 0552, 0847, 0854
VIDEOSONIC	0745, 1047
WEBTV	0825
WHITE WESTINGHOUSE	0820
YAMAHA	0855, 0775, 0740, 0552, 0737, 0848, 0815
ZENITH	0773, 0755, 0753, 1036, 0797, 1043
ZONDA	773

Manufacturers' Codes

DVD CODES

Brand	Codes
AIWA	465
APEX	0455, 0467, 0449, 0437, 0921, 0454, 0461, 0485, 1067, 1068, 1069, 1070
BOSE	0489
BROOKSONIC	0925, 0456, 0925
CALIFORNIA AUDIO	0445
CARY	0459
CONCEPT	0460, 0877
DAEWOO	0884
DENON	0477, 0472, 0478, 0439, 0452, 0481, 0482, 0444, 0884
FISHER	0445
FUNI	1019
GE	0441, 0450
GOLDSTAR	0475
GOVIDEO	0881
HARMON KARDON	0468
HITACHI	0447
JVC	0454, 0461, 0485
KENWOOD	0480
KLH	0448
KYOCERA	0439, 0452, 0481, 0482
LASONIC	0484
M. WARD	0820
MAGNAVOX	0435, 0477, 0472, 0478, 0870, 0463
MITSUBISHI	0477, 0472, 0478, 0470
MYRYAD	0466
NAD	0477, 0472, 0478
ONKO	0488
OPTIMUS	0474
ORITRON	0457
PANASONIC	0439, 0452, 0481, 0482, 0445, 0483, 0479, 1020, 0486, 0477, 0472, 0478, 0434, 0886, 0869
PHILIPS	0435, 0463, 0870
PIONEER	0458, 0453, 0477, 0472, 0478, 1014
POPULAR MECHANICS	0471

Manufacturers' Codes

Brand	DVD Codes
PROSCAN	0450, 441
QUASAR	0445
RCA	0894, 0878, 0450, 0441, 0440, 0477, 0472, 0478
REALISTIC	0474
ROWA	0490
SAMSUNG	0464, 0447, 1016
SANSUI	0456
SANYO	0476, 0436, 0827
SHARP	0480, 0491, 0986
SONY	0443, 1018, 0469, 1015, 0464, 0827
SYLVANIA	0487
TEAC	0438, 0871, 0872, 0882
TECHNICS	0445, 0483, 0479, 1020
THETA DIGITAL	0435, 0870
THOMPSON	0441, 0450
TOSHIBA	0456, 0925, 0451, 0477, 0472, 0478, 0480, 892
YAMAHA	0462, 0473, 0471, 0439, 0452, 0481, 0482
ZENITH	0475

Manufacturers' Codes

PVR CODES

Brand	Codes
TIVO	0850
HUGHES / TIVO	0849
PHILLIPS / TIVO	0844
SONY / TIVO	0759, 0776
SONY SATELLITE/TIVO	0776
REPLAYTV	0782, 0807
PRIDYWAVE	0836

VIDEO ON DEMAND CODES

Brand	Codes
SONY DIGITAL	0234
BELL SOUTH	0883
TIME WARNER	0225

DVD/VCR COMBO CODES

Brand	Codes
SYLVANIA	0820, 0487
SYMPHONIC	0820, 0487
SAMSUNG	0446 VOL+ = DVD, VOL-= VCR

MISCELLANEOUS CODES

Brand	Codes
SHARP PROJECTOR	0662
SONY PROJECTOR	0663
X10	1063
WEB TV	0825

Troubleshooting

The Display is blank

- Make sure fresh batteries are properly installed.

Devices do not respond to commands

- Make sure the remote is in the correct mode.
- The battery power may be too low. Replace all old batteries with new ones.
- The remote may not be pointed in the direction of the device. Point the remote directly at the desired device.
- The device may be too far away from the remote. Move to within 30 feet of the device.
- Something may be blocking the communication between the remote and the device. Check for objects that might be blocking the signal from the remote.
- Make sure the device you are trying to operate is an IR-compatible and is working properly by using the original remote control.

Syncing

I cannot sync the remote

- Make sure you are connected to the Internet before syncing the remote.
- Make sure that the *RemoteLinker II* cable is properly connected to the remote and the computer before syncing the remote.

If you have any other problems contact customer service at 949-450-1670.

FAQ'S

FREQUENTLY ASKED QUESTIONS

Why are the program titles and descriptions old in my remote?

- The **Guide Remote*** stores up to seven days of TV Listings. If you have not downloaded the listings in more than seven days expired program titles and listings will appear in your remote. Updated program titles will appear again in your remote after you sync your remote.

Why can I not get a full seven-day Guide in my remote?

- Some digital cable and satellite systems have hundreds of channels. Unless you remove some from your listings, you may receive less than a full seven days of listings. Reduce the number of channels in your lineup in the **Settings** section on your homepage
- If you elected to download Guide Listings for *All Day* everyday, Sunday thorough Saturday, you may receive less than a full seven days of listings. Increase the number of days of Guide Listings by electing not to download listings for parts of the day that you do not watch TV. Remove one or more day-parts in the **Settings** section on your homepage.
- If you elected to download **Program Descriptions** into your remote, and have a large channel lineup, you may receive less than a full seven days of listings. Try turning off the **Program Descriptions** option in the **Settings** section on your homepage.

How often should I sync my remote to update my TV Listings?

- We recommend that you sync your remote at least once a week. This ensures you have up-to-date Guide Listings in your remote.

Can the **Guide Remote** support TV listings for satellite systems?

- Yes, the **Guide Remote** supports TV Listings for satellite systems such as DirecTV, Dish, Bell ExpressVu, etc.
- The **Guide Remote** does not support listings for C-band satellite systems.

Can I download TV listings for my cable and satellite system at the same time into my **Guide Remote**?

- The **Guide Remote** can only support Guide listings for one service type at a time. You cannot download both into your remote simultaneously.

Will the **Guide Remote** work with my cable system?

Yes, the **Guide Remote** supports Guide listings for cable systems.

FAQ'S

How do I update my email address?

- On the Web site, log into the *Members* section.
- Click on *Settings*.
- In *Settings*, click on *Change* next to *Login Information*.
- Enter your new User Name (email address) and click *Update*.
- We will automatically send you an email at your new address. Go to your email and click on the link inside the email to finalize the change.

What kind of computer system do I need in order to use the Guide Remote?

To use the *Guide Remote*, you should meet the following requirements:

- A PC running Windows 98SE, ME, 2000 or XP.
- Internet Explorer 5.0+, Netscape 4.0+ or AOL 5.0+ Web Browser (Note: Microsoft Internet Explorer 5.0+ *must* be installed on your computer even if it is not your default browser, because *RemoteLinker* uses resource files provided only with Internet Explorer.)
- One available USB port
- A CD ROM drive
- At least 5 MB free hard disk space
- At least 8 MB RAM
- An active connection to the Internet

Why can't I complete a Guide Remote sync on my Windows ME/98SE/2000/XP system?

RemoteLinker has been successfully tested on all of the above-mentioned operating systems. This software was specifically designed to use the USB drivers supplied by Microsoft in each operating system and does not install drivers for you. Reliability is assured if the following three conditions are met:

- The system meets the minimum system requirements listed in this FAQ.
- The operating system and all of the USB drivers were properly installed without errors.
- The system anti-virus software was disabled during the *RemoteLinker* software installation/uninstallation.

Please use the Windows Update feature for your PC; particularly for the core, hardware driver and Internet Explorer patches that Microsoft provides. If you still experience difficulty syncing your *GuideRemote*, please contact customer service at 949-450-1670.

Specifications

SPECIFICATIONS

Display Screen	2.1 in x 0.7 in (53 mm x 18 mm)
Power	(4) AA Batteries
Dimensions (HWD)	2.8 in x 8.1 in x 1.4 in (71 mm x 206 mm x 36 mm)
Weight (Without Batteries)	6 oz (170 g)
USB Cable	6 ft (1.8 m)
Operating Temperature	5°C (41°F) to 45°C (113°F)
Storage Temperature	0°C (32°F) to 55°C (131°F)

DECLARATION OF CONFORMITY

We, the Responsible Party

Evolve Communications, Inc.
14312 Franklin Ave Suite 100
Tustin, CA 72780

DECLARE THAT THE PRODUCT

GUIDE REMOTE

Model Number: **RD1000**
RD1100
RD1200
RD1300

is in conformance with Part 15 of the FCC Rules. Operation of this product is subject to the following two conditions (1) this device may not cause harmful interference, and (2) this device must accept any interference received, including interference that may cause undesired operation.

For Home or Office Use

Warranty

Limited Ninety-Day Warranty

Evolve Communications, Inc. (Evolve) warrants this product against manufacturing defects in material and workmanship under normal use for ninety (90) days from the date of purchase from Evolve and authorized dealers. EXCEPT AS PROVIDED HEREIN, EVOLVE MAKES NO EXPRESS WARRANTIES AND ANY IMPLIED WARRANTIES, INCLUDING THOSE OF MERCHANTABILITY AND FITNESS FOR A PARTICULAR PURPOSE, ARE LIMITED IN DURATION TO THE DURATION OF THE WRITTEN LIMITED WARRANTIES CONTAINED HEREIN. EXCEPT AS PROVIDED HEREIN, EVOLVE SHALL HAVE NO LIABILITY OR RESPONSIBILITY TO CUSTOMER OR ANY OTHER PERSON OR ENTITY WITH RESPECT TO ANY LIABILITY, LOSS OR DAMAGE CAUSED DIRECTLY OR INDIRECTLY BY USE OR PERFORMANCE OF THE PRODUCT OR ARISING OUT OF ANY BREACH OF THIS WARRANTY, INCLUDING, BUT NOT LIMITED TO, ANY DAMAGES RESULTING FROM INCONVENIENCE, LOSS OF TIME, DATA, PROPERTY, REVENUE, OR PROFIT OR ANY INDIRECT, SPECIAL, INCIDENTAL, OR CONSEQUENTIAL DAMAGES, EVEN IF EVOLVE HAS BEEN ADVISED OF THE POSSIBILITY OF SUCH DAMAGES.

Some states do not allow limitations on how long an implied warranty lasts or the exclusion or limitation of incidental or consequential damages, so the above limitations or exclusions may not apply to you.

In the event of a product defect during the warranty period, take the product and the sales receipt as proof of purchase date to Evolve. Evolve, at its option, unless otherwise provided by law: (a) correct the defect by product repair without charge for parts and labor; (b) replace the product with one of the same or similar design; or (c) refund the purchase price. All replaced parts and products, and products on which a refund is made, become the property of Evolve. New or reconditioned parts and products may be used in the performance of warranty service. Repaired or replaced parts and products are warranted for the remainder of the original warranty period. You will be charged for repair or replacement of the product made after the expiration of the warranty period.

This warranty does not cover: (a) damage or failure caused by or attributable to acts of God, abuse, accident, misuse, improper or abnormal usage, failure to follow instructions, improper installation or maintenance, alteration, lightning or other incidence of excess voltage or current; (b) any repairs other than those provided by an Evolve Authorized Service Facility; (c) consumables such as fuses or batteries; (d) cosmetic damage; (e) transportation, shipping or insurance costs; or (f) costs of product removal, installation, set-up service adjustment or reinstallation.

This warranty gives you specific legal rights, and you may have other rights, which vary from state to state.

Evolve Communications, Inc.
14312 Franklin Avenue Suite 100
Tustin, CA 72820

The Evolve logo, **Guide Remote** and **RemoteLinker II** are trademarks of Evolve Communications, Inc., Tustin, CA 92780 All Rights Reserved.
© Copyright 2003 Evolve Communications, Inc.